

VENTS X star Series



Axial decorative fans for exhaust ventilation with the capacity up to 302 m³/h.

Applications

- Continuous or periodic exhaust ventilation of bathroom, showers, kitchens and other utility spaces.
- Ventilation shaft mounting or duct connection.
- Low to medium air flow motion for short distances at low air resistance.
- Compatible with 100, 125 and 150 mm air ducts.



Vents X star alumat



LED lamp, 2 W

Design

- Modern design and aesthetic look.
- The casing and the impeller are made of high-quality durable ABS plastic, UV resistant.
- The intellectual impeller design makes the fan efficiency high and the service life long.
- A 2 W LED lamp is integrated into the fan casing.
- Protection rating IP 24.

Motor

- Reliable and low-watt electric motor.
- Designed for continuous operation and requires no maintenance.
- Equipped with overheating protection.

Modifications and Options

X star alumat – fan with a matt gray painted front plate.



X star K – fan is equipped with a backdraft damper for backflow preventing.



X star L – the motor is equipped with ball bearings for long service life (appr. 40 thousand hours) and fan mounting at any angle. The bearings are maintenance-free and contain enough grease for the entire operating period.



X star turbo – high-powered motor.



X star press – 5-blade low-noise impeller with improved aerodynamics for higher fan capacity.



X star 12 – modification with low-voltage motor. 12 V AC power supply.

Control

Manual:

- The fan is controlled by a room light switch. It is not included in the delivery package.
- Speed control is possible through a thyristor speed controller (see Electrical Accessories). Several fans may be connected to the same regulator unit.

Automatic:

- By the electronic control unit **BU-1-60** (see Electrical Accessories). The control unit is supplied separately.

Mounting features

- The fan is mounted directly into the ventilation shaft.
- Flexible duct application is recommended in case of remote location of the ventilation shaft. The air duct is connected to the fan exhaust through a clamp.
- Fixed to wall by self-tapping screws.
- Suitable for ceiling mounting.
- Both parallel or separate switching of the fan and the built-in lamp (refer wiring diagrams).
- For 12 V low-voltage motor fan connection to 220 V / 50 Hz power mains use the step-down transformer TRF 220/12-25 that is available upon separate order.

Accessories



Air ducts

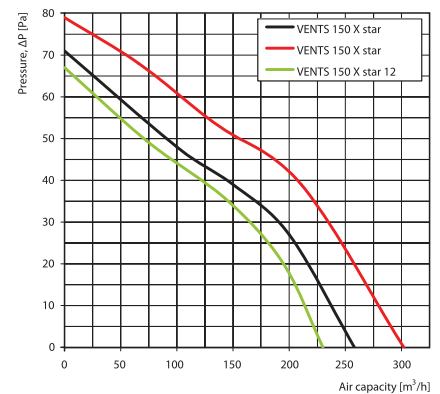
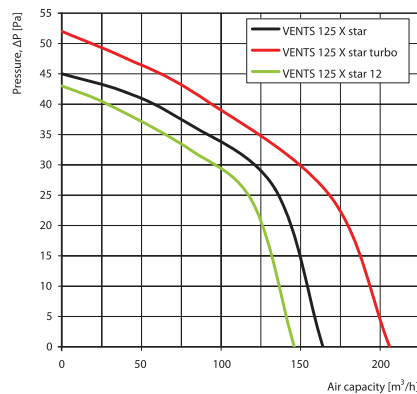
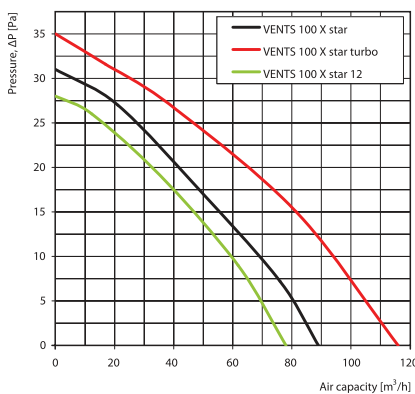
Grilles and hoods

Backdraft damper

Speed controllers

Clamps

Aerodynamic characteristics



Technical data

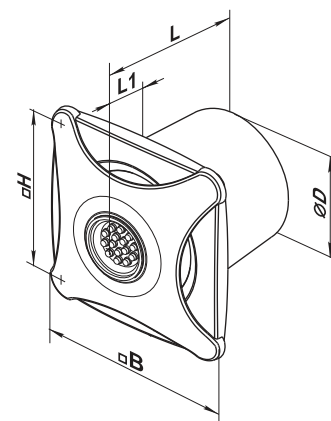
Model	Voltage [V] at 50 Hz	Power Consumption [W]	Current [A]	r.p.m.	Maximum air capacity [m³/h]	Sound Pressure Level at 3m [dB(A)]	Weight [kg]
VENTS 100 X star	220-240	14	0,085	300	89	33	0,61
VENTS 125 X star	220-240	16	0,1	3400	164	34	0,75
VENTS 150 X star	220-240	24	0,13	2400	258	37	0,94
VENTS 100 X star turbo	220-240	16	0,1	300	116	36	0,69
VENTS 125 X star turbo	220-240	24	0,10	2400	206	36	0,83
VENTS 150 X star turbo	220-240	30	0,13	2400	302	39	1,08
VENTS 100 X star 12	12	14	0,5	2200	78	32	0,60
VENTS 125 X star 12	12	16	1,1	2300	146	33	0,73
VENTS 150 X star 12	12	24	2	2300	230	36	0,90

Mounting examples



Overall dimensions

Model	Dimensions [mm]				
	Ø D	B	H	L	L1
VENTS 100 X star	100	152	120	131	36
VENTS 125 X star	125	177	140	143	42
VENTS 150 X star	150	205	165	160	42



Certificates



The fans meet the applicable safety and electromagnetic compatibility standards.